

# GUYANA SHORE BASE INC.

## PARKING CURBS

**NOTES:**

1. Minimum concrete compressive strength - 4,000 psi at 28 days.
2. All reinforcement shall conform to ASTM A615 - grade 60.
3. 1" x 1" chamfer on all sides.
4. Reinforcement shall be free of dust, loose rust and scale before concrete pouring.
5. Minimum cover at external edges shall be 2" on all sides.
6. Fair faced finished.
7. To be finished with 1 coat primer; 2 coats safety yellow paint

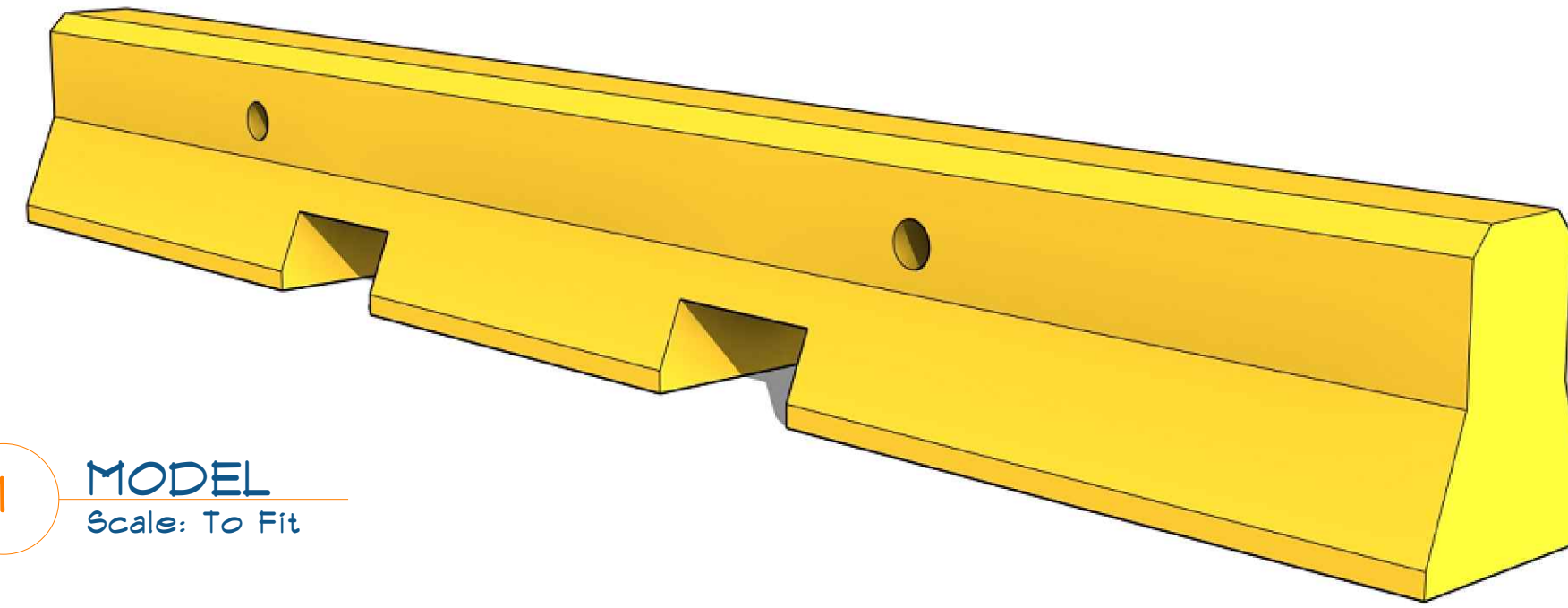


No.	REVISION	DATE:

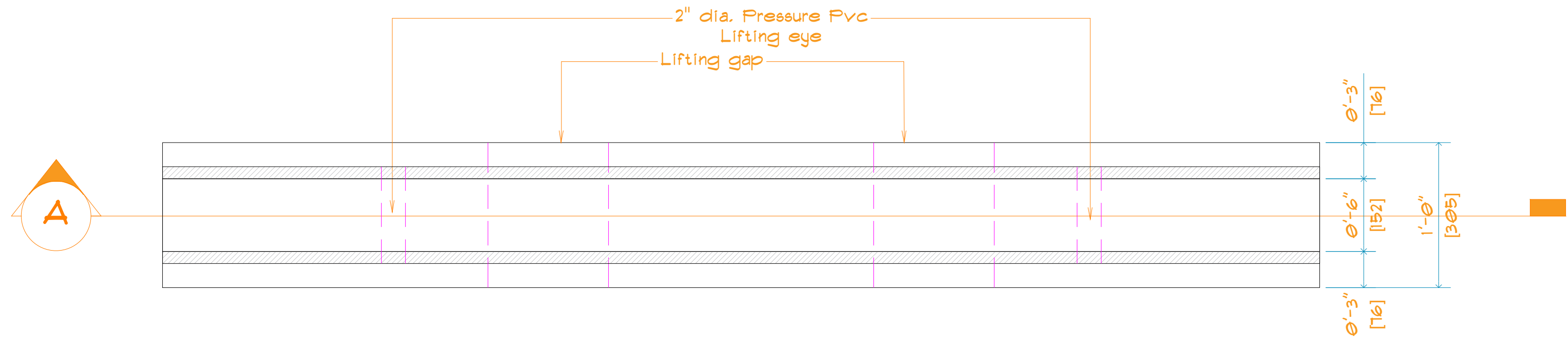
CLIENT:

Project Title: **PARKING CURB**  
 Project Location: **GUYANA SHORE BASE INC.**  
 Drawing Title: **COVER**

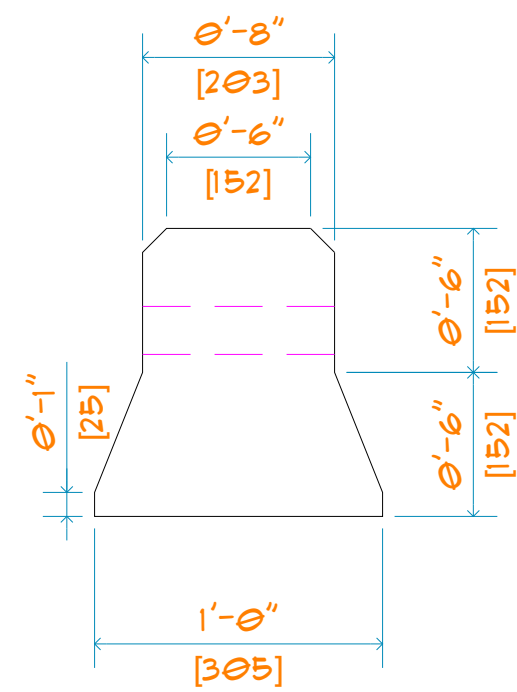
Scale: <b>Scaled to fit</b>	Date: <b>2025.03.10</b>
Surveyed by:	<b>*****</b>
Drawing by: <b>A. Flatts   I. Baksh</b>	Drawing #: <b>PKI-A-00</b>
Checked by: <b>D. Woolford</b>	Page No:
Approved by: <b>G. Pasley</b>	Appr. Date:



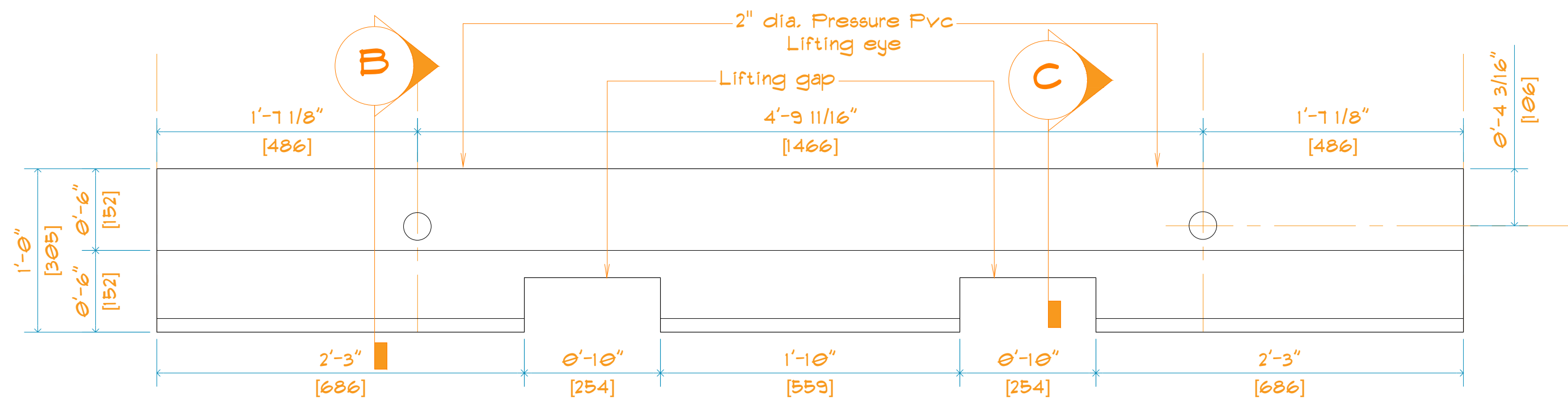
**1 MODEL**  
Scale: To Fit



**2 TOP VIEW**  
Scale: 1 1/2" = 1'-0"



**3 END VIEW**  
Scale: 1 1/2" = 1'-0"



**4 SIDE VIEW**  
Scale: 1 1/2" = 1'-0"

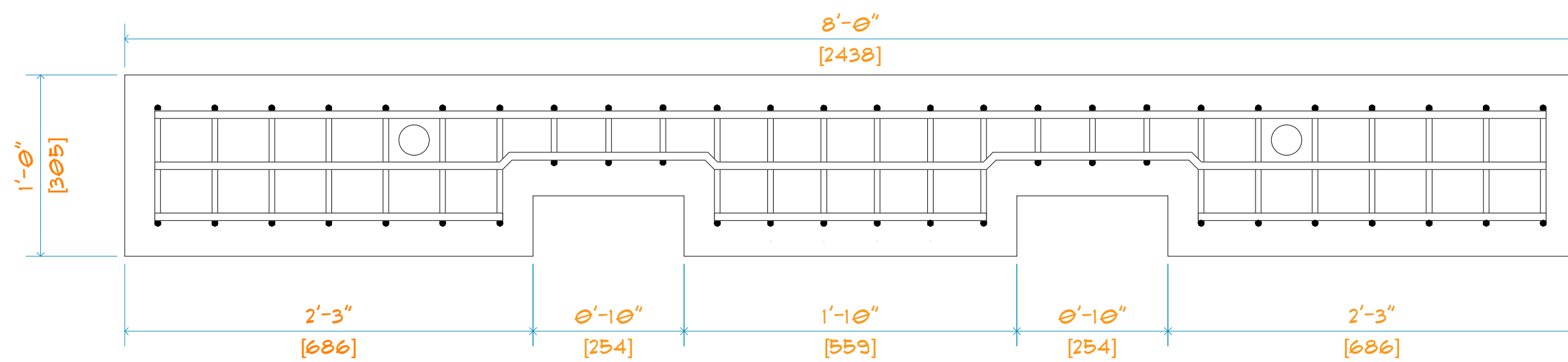


No.	REVISION	DATE:

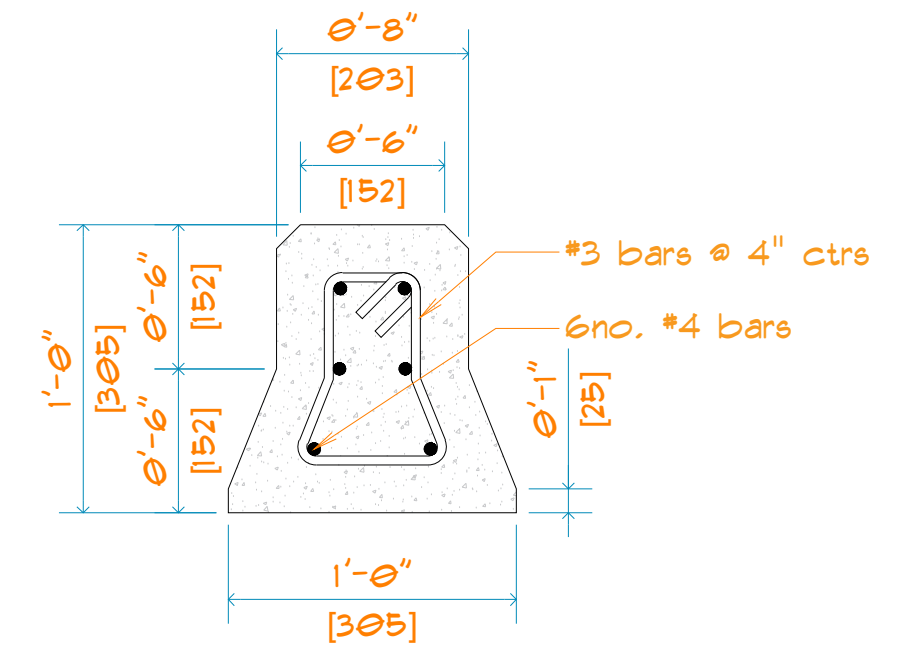
CLIENT: \_\_\_\_\_

Project Title: **PARKING CURB**  
 Project Location: **GUYANA SHORE BASE INC.**  
 Drawing Title: **PARKING CURB DESIGN**

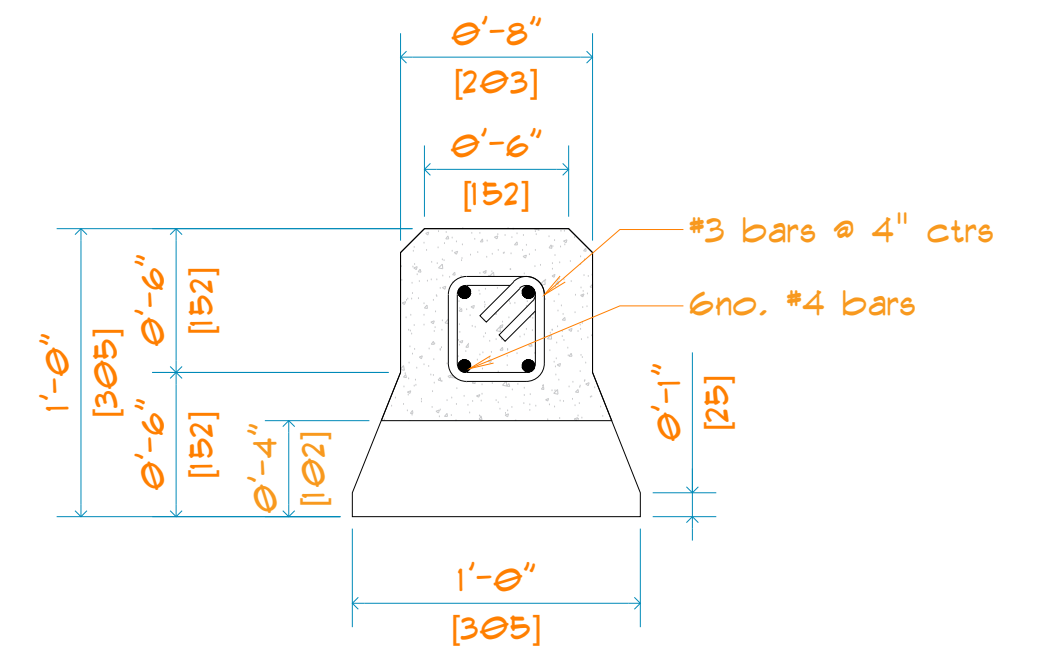
Scale: Scaled to fit	Date: 2025.03.10
Surveyed by: _____	*****
Drawing by: <b>A. Flatts</b>	Drawing #: <b>PKI-A-01</b>
Checked by: <b>I. Baksh   D. Woolford</b>	Page No: _____
Approved by: <b>G. Pasley</b>	Appr. Date: _____



**5 SECTION A**  
Scale: 1 1/2" = 1'-0"



**6 SECTION B**  
Scale: 1 1/2" = 1'-0"



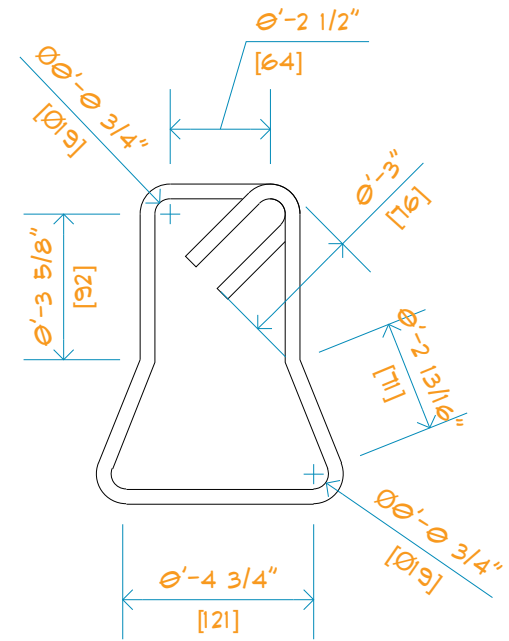
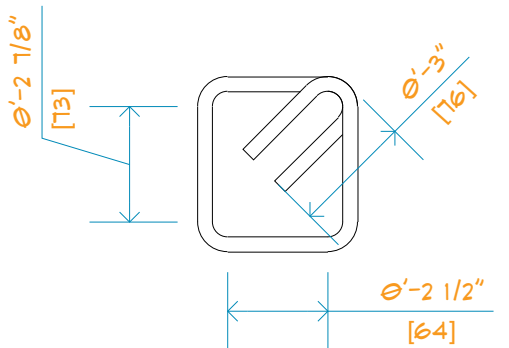
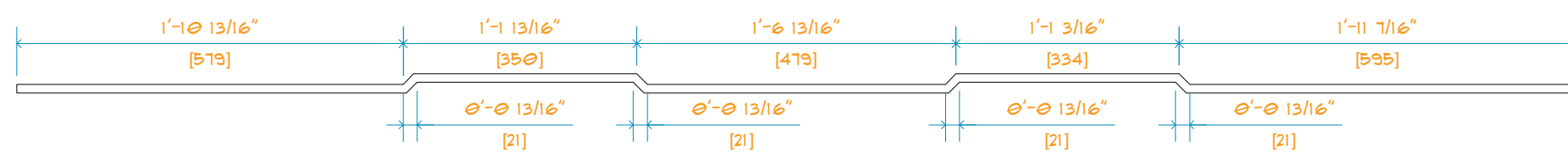
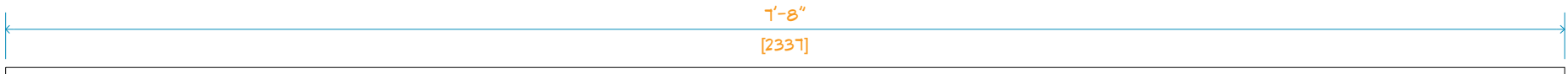
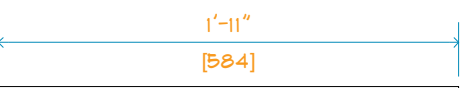

**7 SECTION C**  
Scale: To Fit

No.	REVISION	DATE:

CLIENT:

Project Title: **PARKING CURB**  
 Project Location: **GUYANA SHORE BASE INC.**  
 Drawing Title: **SECTION DETAILS**

Scale: Scaled to fit	Date: 2025.03.10
Surveyed by: *****	Drawing #: PKI-A-02
Drawing by: A. Flatts	Page No:
Checked by: I. Baksh I D. Woolford	
Approved by: G. Pasley	Appr. Date:

ITEM #	TYPE	SHAPE	LENGTH (m)	No.	TOTAL LENGTH (m)	TOTAL WEIGHT (kg)
1.0	#3 (10mm)		0.74	20	14.8	8.29
2.0	#3 (10mm)		0.51	6	3.06	1.72
<b>TOTAL</b>				-	<b>17.86</b>	<b>10.01</b>
3.0	#4 (13mm)		2.14	2	4.28	4.26
4.0	#4 (13mm)		2.34	2	4.68	4.66
5.0	#4 (13mm)		0.59	4	2.36	2.35
6.0	#4 (13mm)		0.46	2	0.92	0.92
<b>TOTAL</b>				-	<b>12.24</b>	<b>12.19</b>



No.	REVISION	DATE:

CLIENT:

Project Title: **PARKING CURB**  
Project Location: **GUYANA SHORE BASE INC.**  
Drawing Title: **BAR BENDING SCHEDULE**

Scale: **Scaled to fit**  
Date: **2025.03.10**  
Surveyed by: **\*\*\*\*\***  
Drawing #: **PKI-A-03**  
Drawing by: **A. Flatts**  
Checked by: **I. Baksh | D. Woolford**  
Approved by: **G. Pasley** Appr. Date:   
Page No: