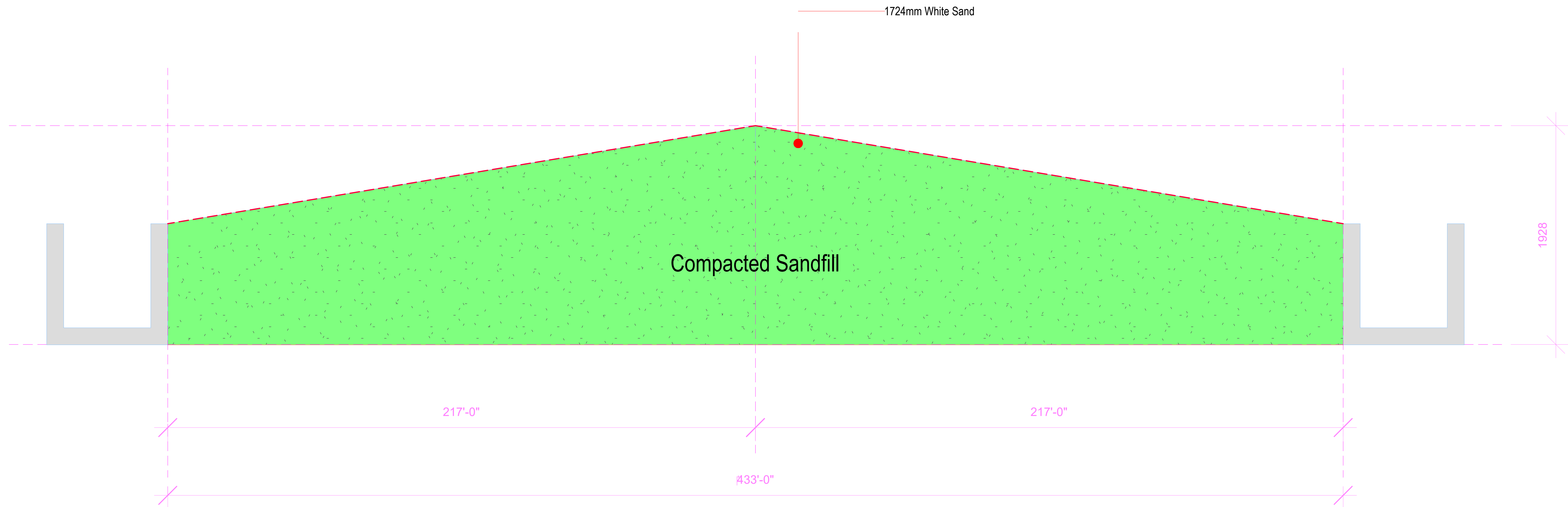


No:	REVISION	DATE:

CLIENT:

Project Title: G-CITY DEVELOPMENT  
 Project Location: G-CITY, Houston South (Fmr. Vieira Land Development)  
 Drawing Title: **G-CITY - ROAD LAYOUT**

Scale: Scaled to fit	Date: 01.09.2023
Surveyed by:	*****
Drawing by: A.Flatts	Drawing #: <b>GCP-S-02</b>
Checked by: S.Kishun	Page No: <b>1 of 1</b>
Approved by: B.Murli	Appr. Date:

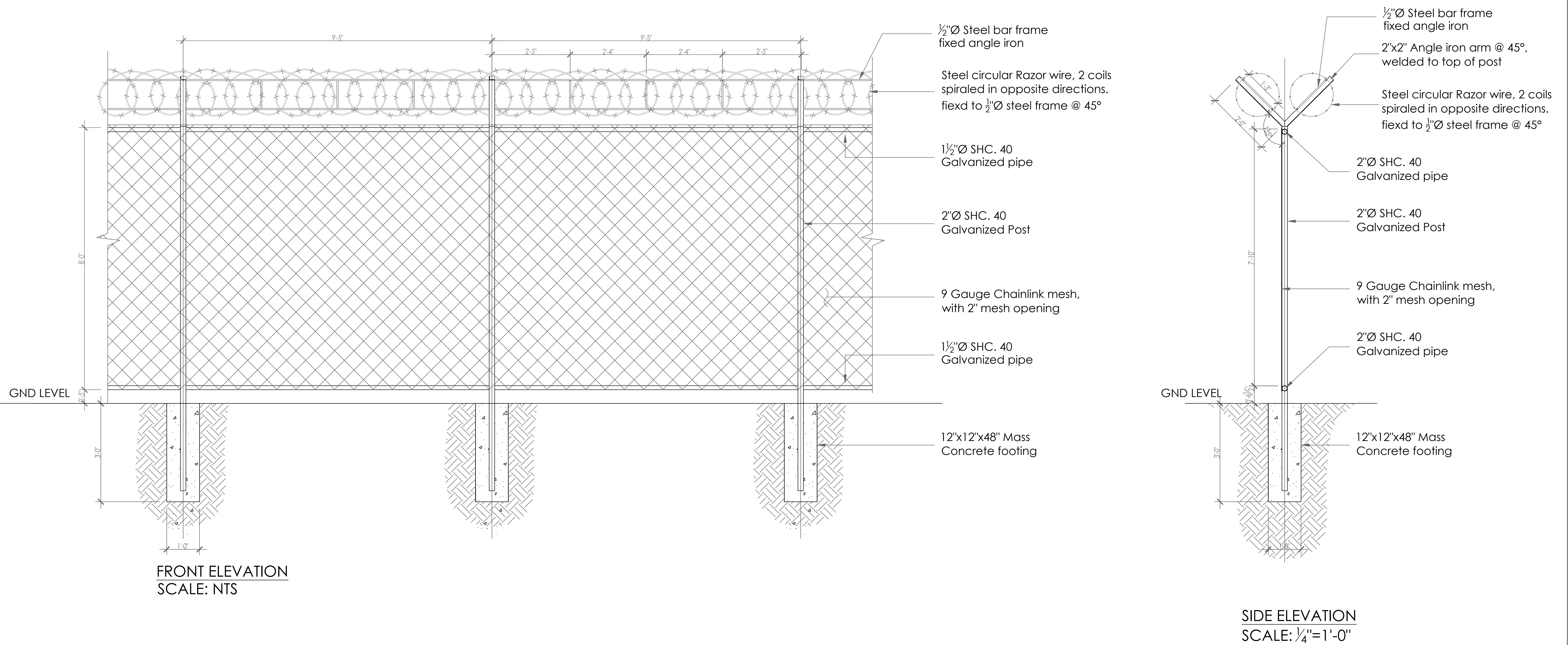


No:	REVISION	DATE:	CLIENT:

Project Title:	G-CITY DEVELOPMENT
Project Location:	G-CITY, Houston South (Fmr. Vieira Land Development)
Drawing Title:	<b>G-CITY - PLOT SECTION PROFILE</b>

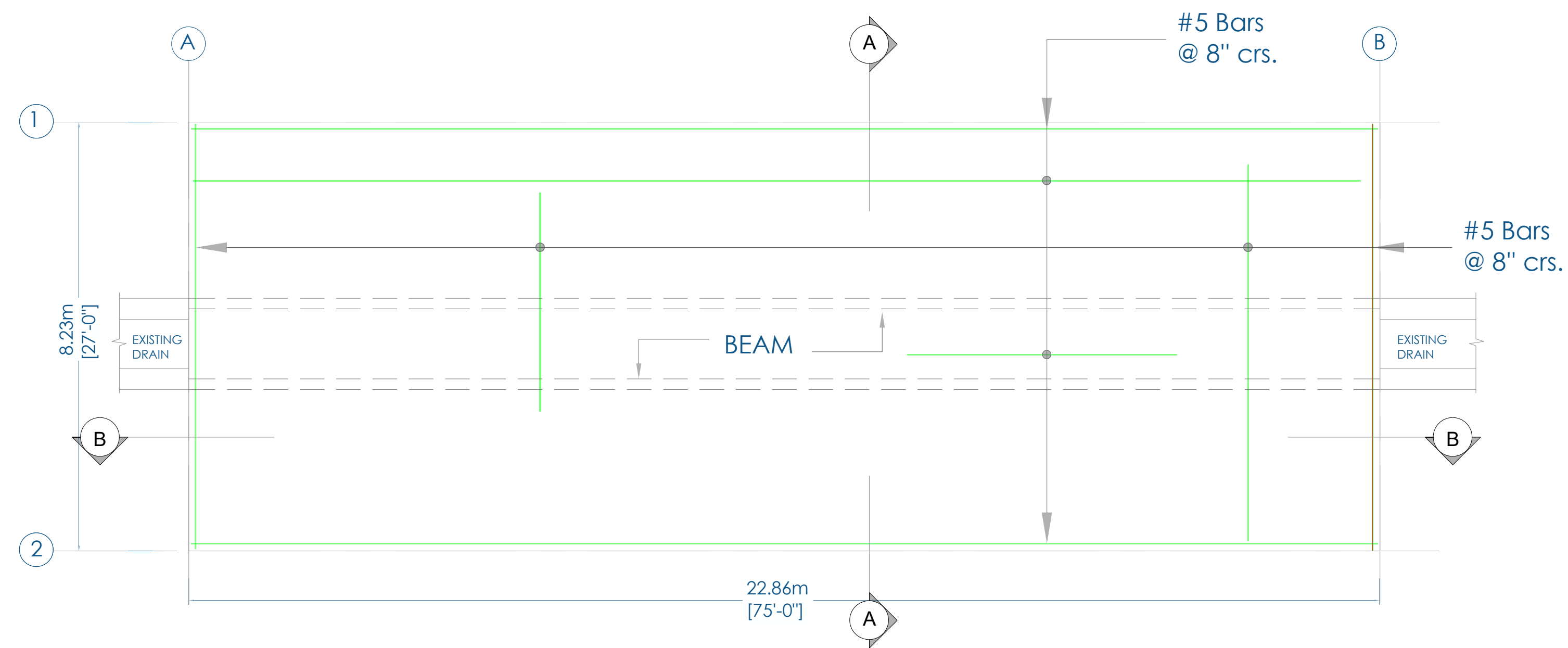
Scale:	Scaled to fit	Date:	01.09.2023
Surveyed by:		*****	
Drawing by:	A. Flatts	Drawing #:	
Checked by:	S.Kishun	<b>GCP-S-01</b>	
Approved by:	B.Murli	Appr. Date:	Page No:
			<b>1 of 1</b>

# FENCE WITH 2"x2" ANGLE IRON AT TOP

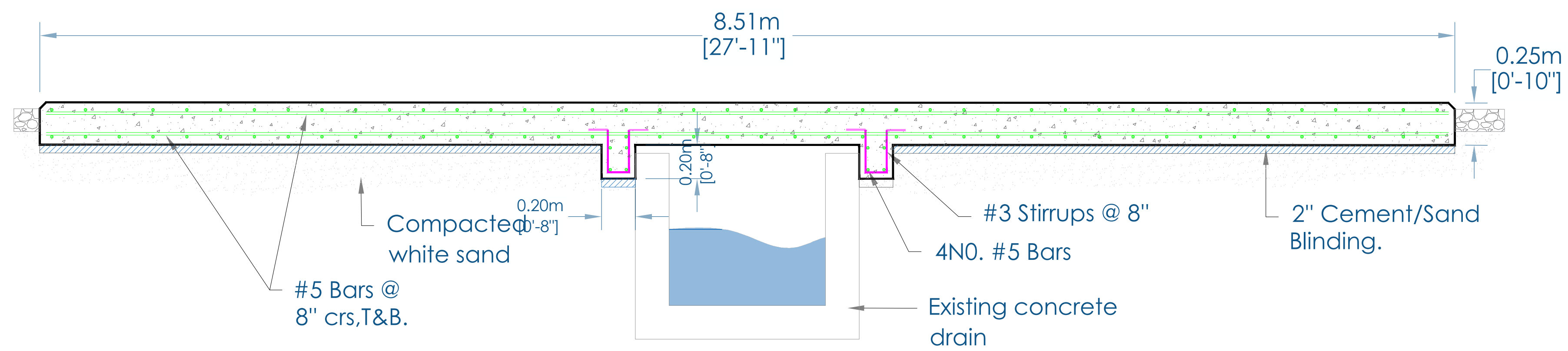


No:	REVISION	DATE:	CLIENT:

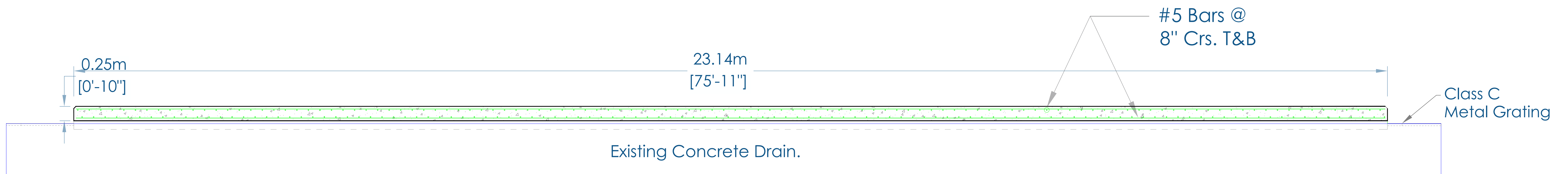
Project Title:	G-CITY DEVELOPMENT	Scale:	Scaled to fit	Date:	01.09.2023
Project Location:	G-CITY, Houston South (Fmr. Vieira Land Development)	Surveyed by:	*****	Drawing #:	GCP-A-09
Drawing Title:	<b>G-CITY - TYPICAL FENCE</b>	Drawing by:	A. Flatts	Checked by:	S.Kishun
		Approved by:	B.Murli	Appr. Date:	
				Page No:	1 of 1



**1 REINFORCEMENT PLAN**  
SCALE = NTS



**2 SECTION A-A**  
SCALE = NTS



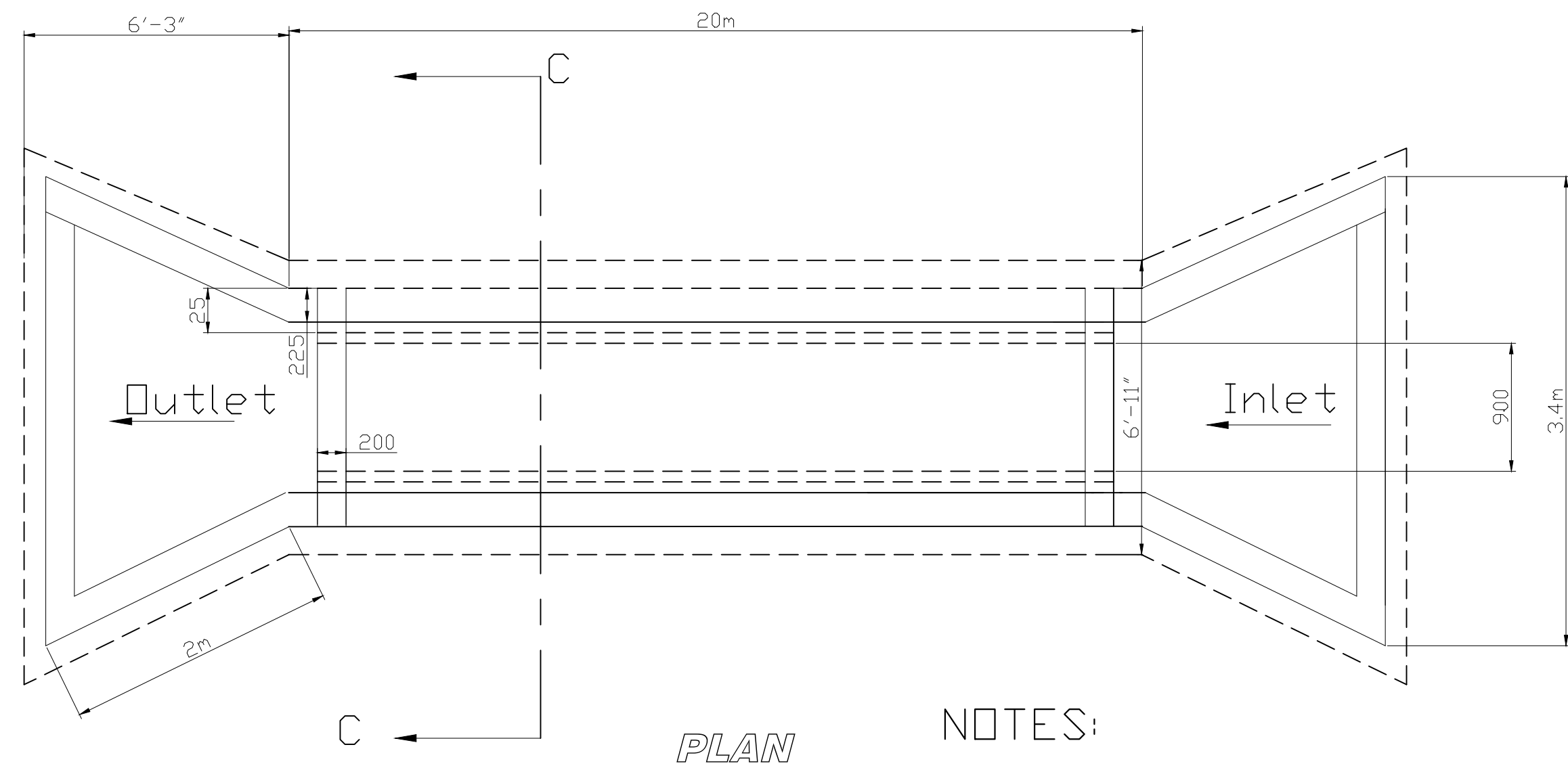
**3 SECTION B-B**  
SCALE = NTS



No:	REVISION	DATE:	CLIENT:

Project Title:	G-CITY DEVELOPMENT
Project Location:	G-CITY, Houston South (Fmr. Vieira Land Development)
Drawing Title:	<b>G-CITY - TYPICAL CONCRETE CROSSING</b>

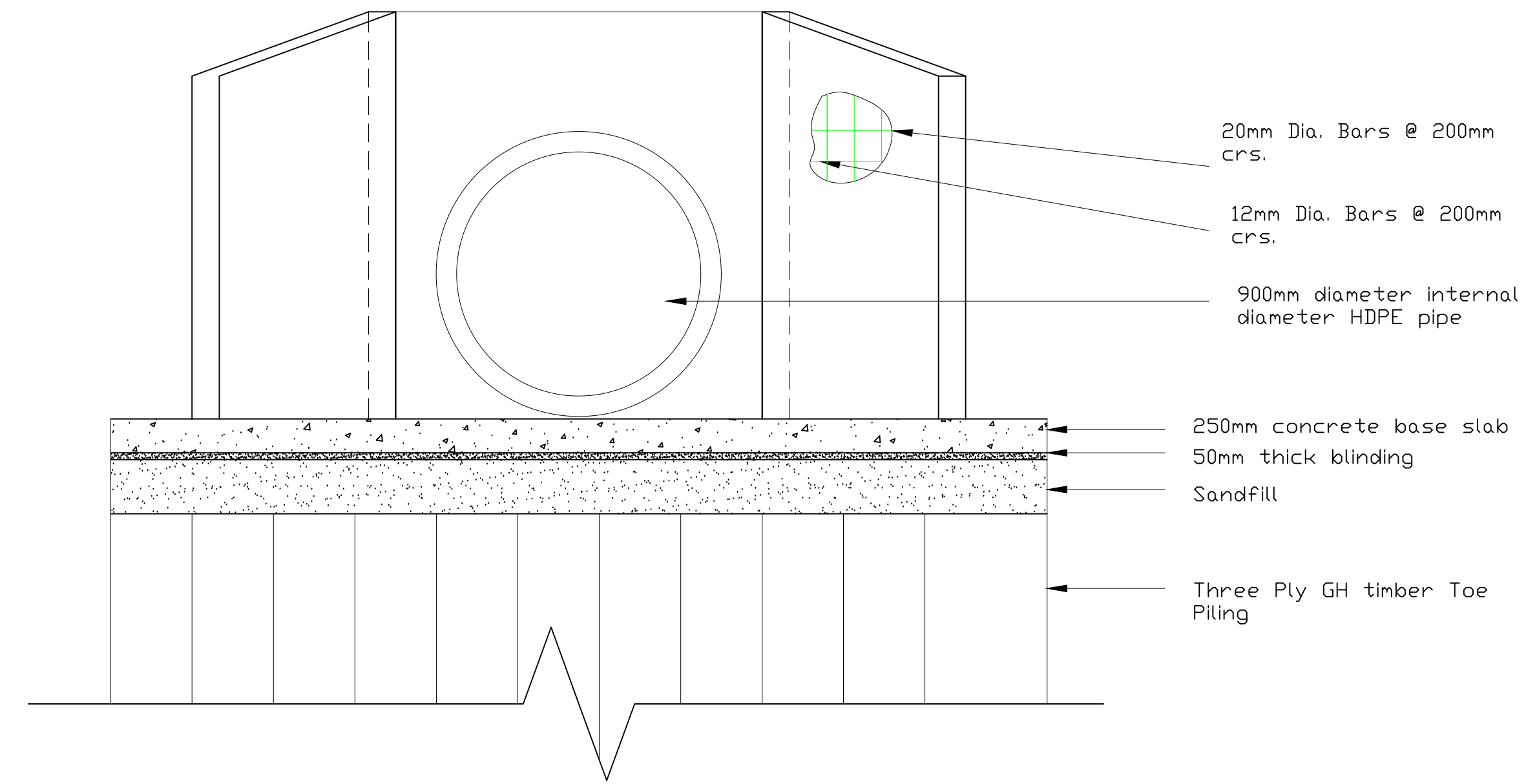
Scale:	Scaled to fit	Date:	01.09.2023
Surveyed by:			*****
Drawing by:	A. Flatts	Drawing #:	<b>GCP-A-10</b>
Checked by:	S.Kishun		
Approved by:	B.Murli	Appr. Date:	
		Page No:	<b>1 of 1</b>



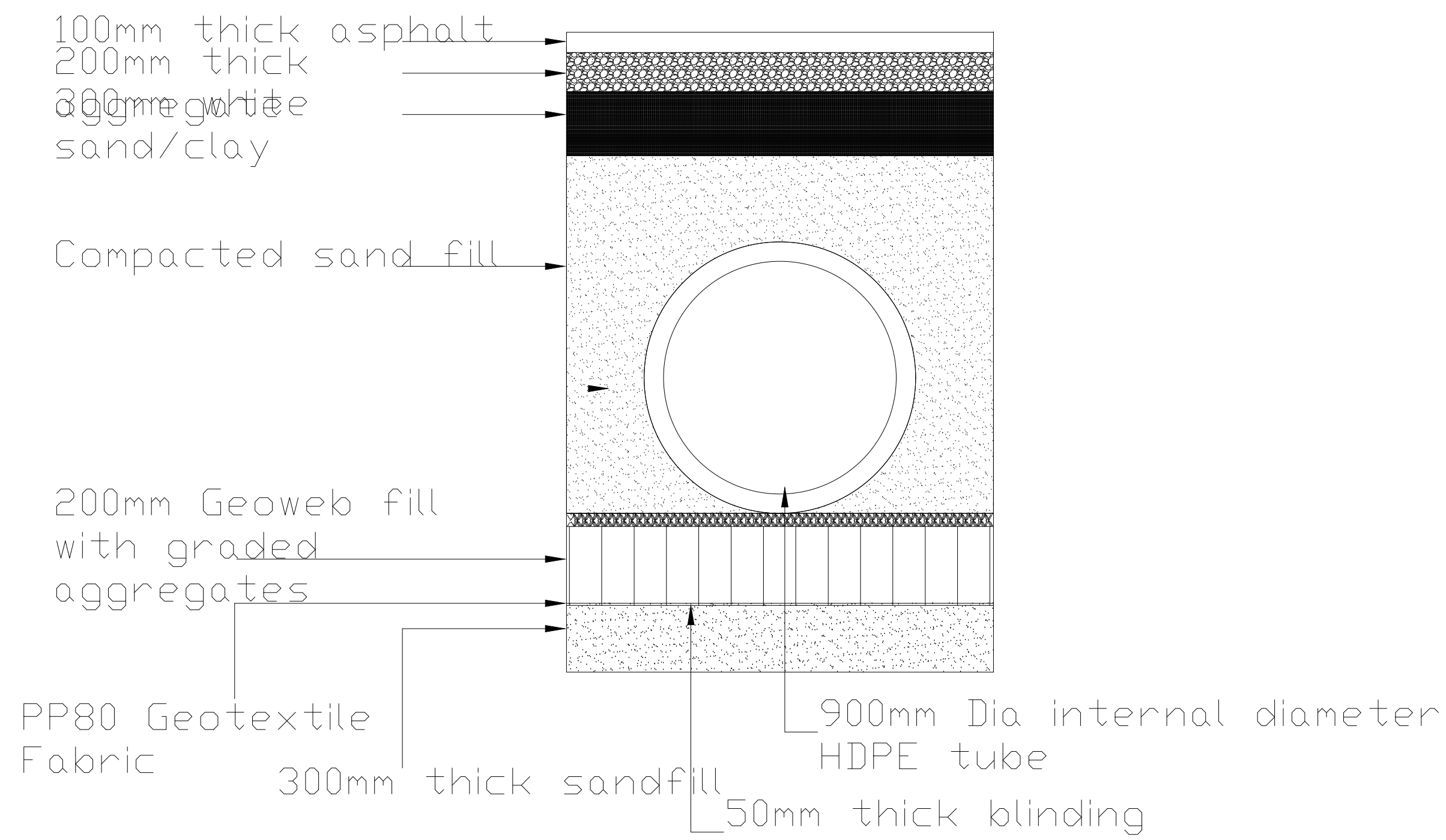
PLAN

NOTES:

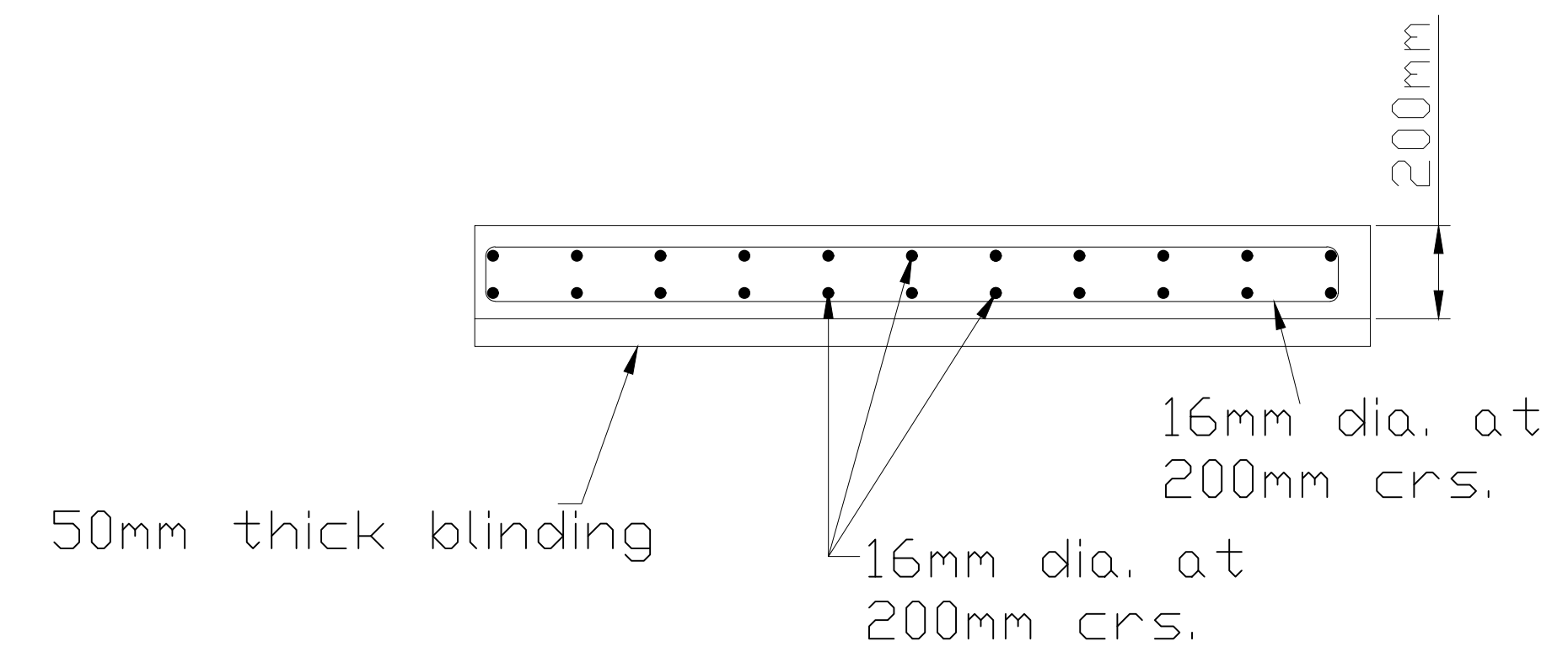
LOCATION OF THE STRUCTURE TO BE DETERMINED ON SITE  
 INVERT LEVEL TO BE DETERMINED ON SITE  
 ALL DIMENSIONS IN METER UNLESS OTHERWISE STATED



Section B-B



Section C-C



Typical Base Slab Reinforcement

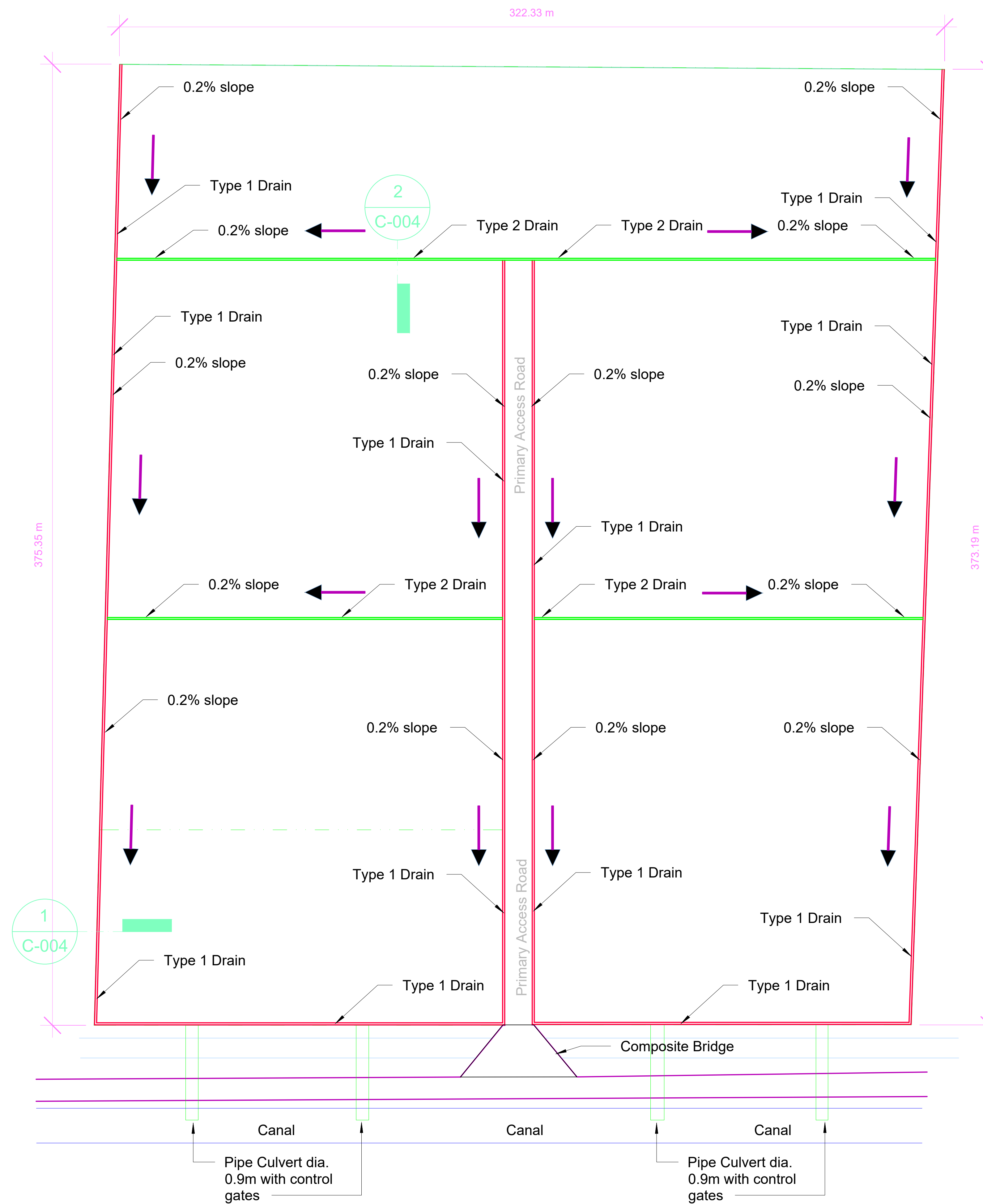


No:	REVISION	DATE:	CLIENT:

Project Title:	G-CITY DEVELOPMENT
Project Location:	G-CITY, Houston South (Fmr. Vieira Land Development)
Drawing Title:	<b>G-CITY - TYPICAL HDPE PIPE CULVERT</b>

Scale:	Scaled to fit
Surveyed by:	*****
Drawing by:	A. Flatts
Checked by:	S.Kishun
Approved by:	B.Murli

Date:	01.09.2023
Drawing #:	<b>GCP-A-11</b>
Page No:	<b>1 of 1</b>



Legend	
	Prefab RC Type 2 Drains with concrete cover
	Prefab RC Type 1 Drains with concrete cover
	Pipe culvert
	Drain Direction

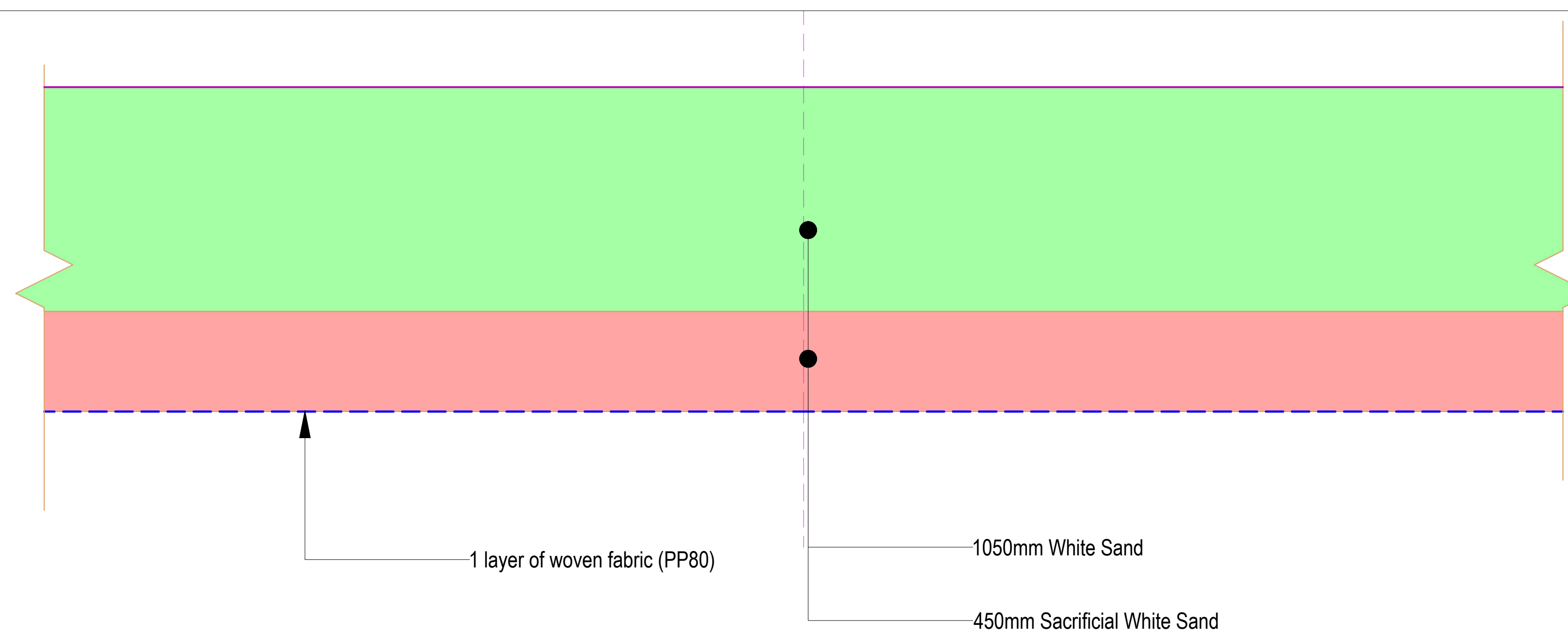
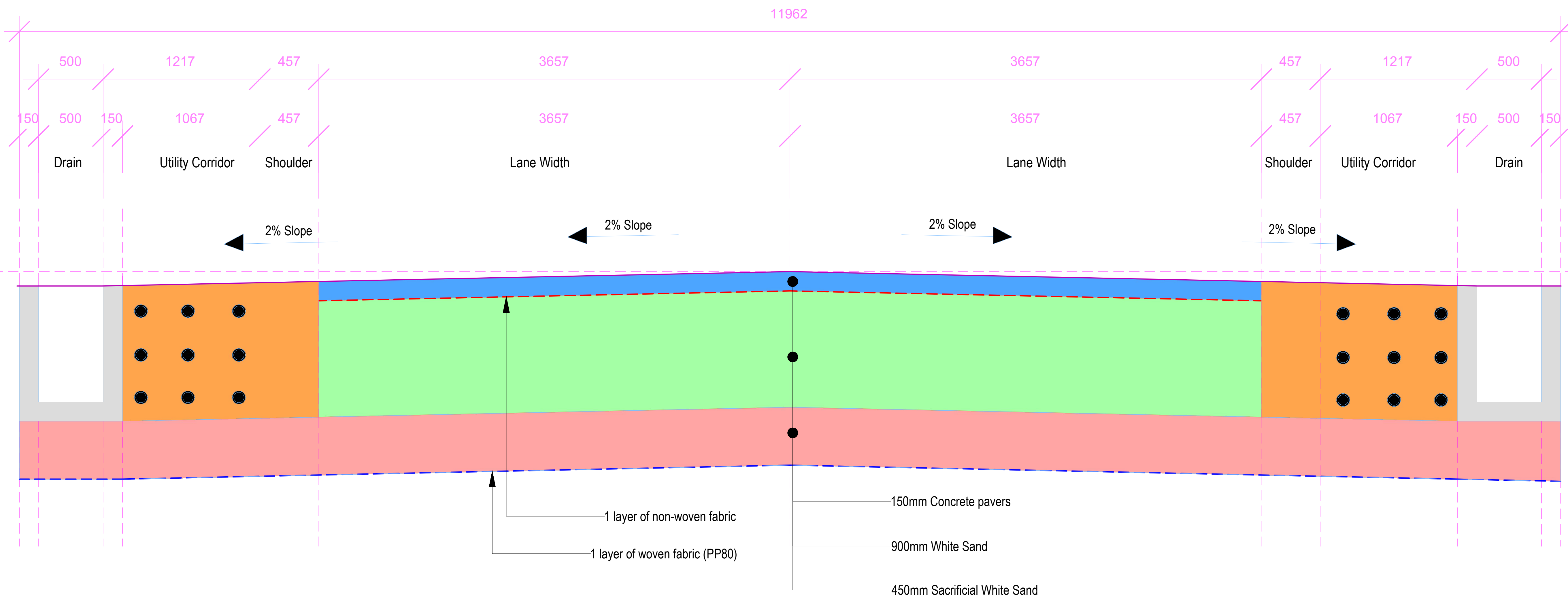


No:	REVISION	DATE:

CLIENT: \_\_\_\_\_

Project Title: G-CITY DEVELOPMENT  
 Project Location: G-CITY, Houston South (Fmr. Vieira Land Development)  
 Drawing Title: **G-CITY - DRAINAGE PLAN**

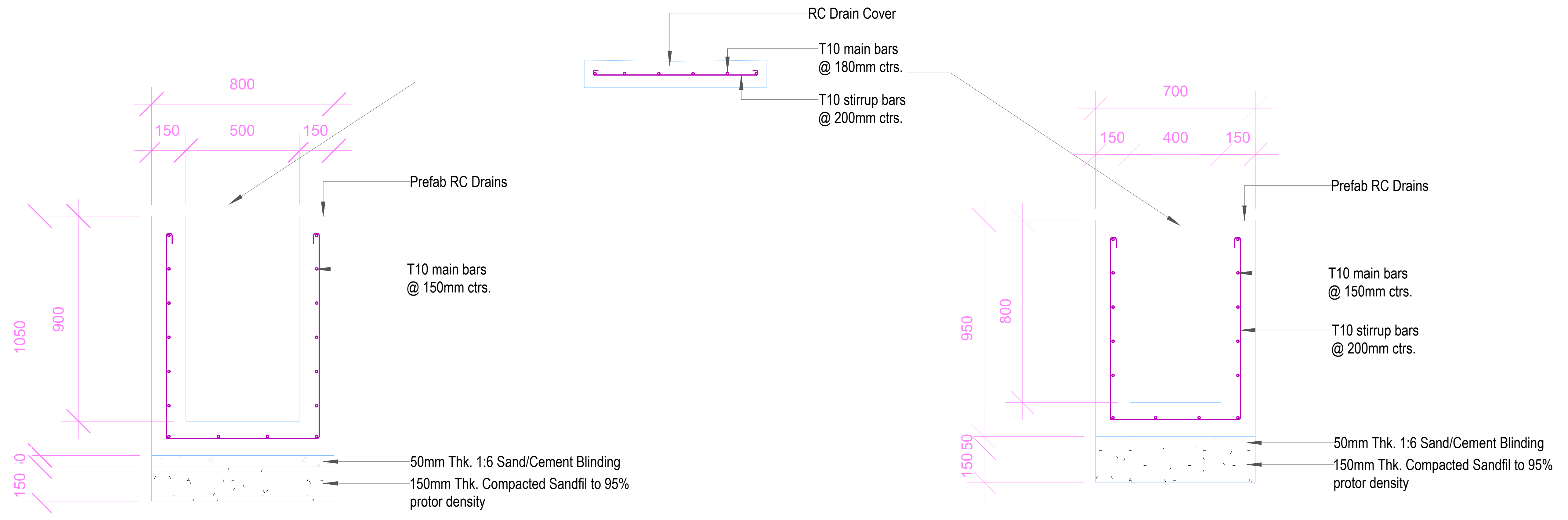
Scale: Scaled to fit  
 Date: 01.09.2023  
 Surveyed by: \*\*\*\*\*  
 Drawing by: A. Flatts  
 Checked by: S.Kishun  
 Approved by: B.Murli  
 Appr. Date: \_\_\_\_\_  
 Drawing #: **GCP-S-03**  
 Page No: **1 of 1**



No:	REVISION	DATE:	CLIENT:

Project Title:	G-CITY DEVELOPMENT
Project Location:	G-CITY, Houston South (Fmr. Vieira Land Development)
Drawing Title:	<b>G-CITY - PAVEMENT DETAILS</b>

Scale:	Scaled to fit	Date:	01.09.2023
Surveyed by:		*****	
Drawing by:	A. Flatts	Drawing #:	
Checked by:	S.Kishun	<b>GCP-S-04</b>	
Approved by:	B.Murli	Appr. Date:	Page No:
			<b>1 of 1</b>



No:	REVISION	DATE:	CLIENT:

Project Title:	G-CITY DEVELOPMENT	Scale:	Scaled to fit	Date:	01.09.2023	
Project Location:	G-CITY, Houston South (Fmr. Vieira Land Development)	Surveyed by:			*****	
Drawing Title:	<b>G-CITY - DRAIN DETAILS</b>	Drawing by:	A. Flatts	Drawing #:	<b>GCP-S-05</b>	
		Checked by:	S.Kishun			
		Approved by:	B.Murli	Appr. Date:		Page No:
						<b>1 of 1</b>