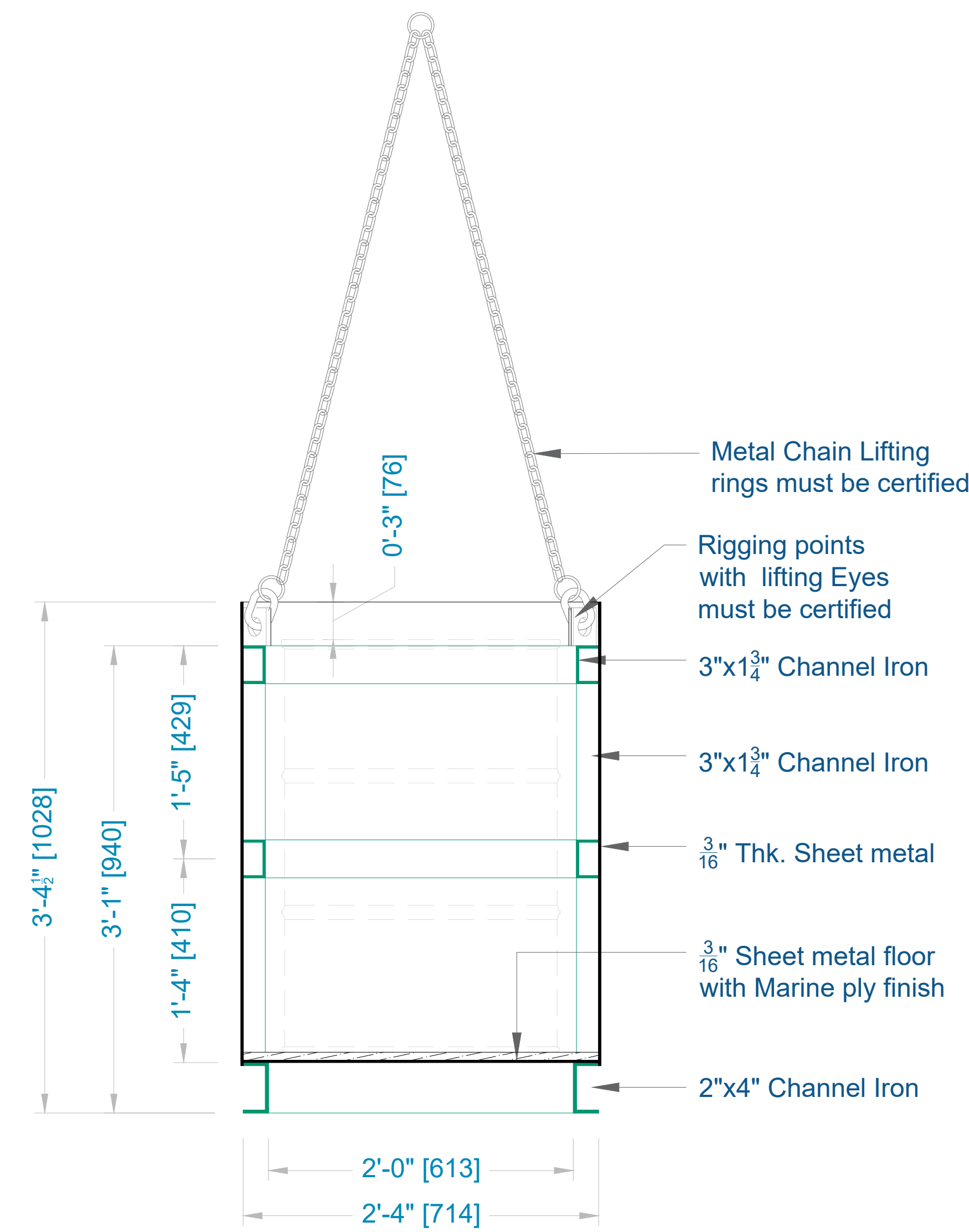
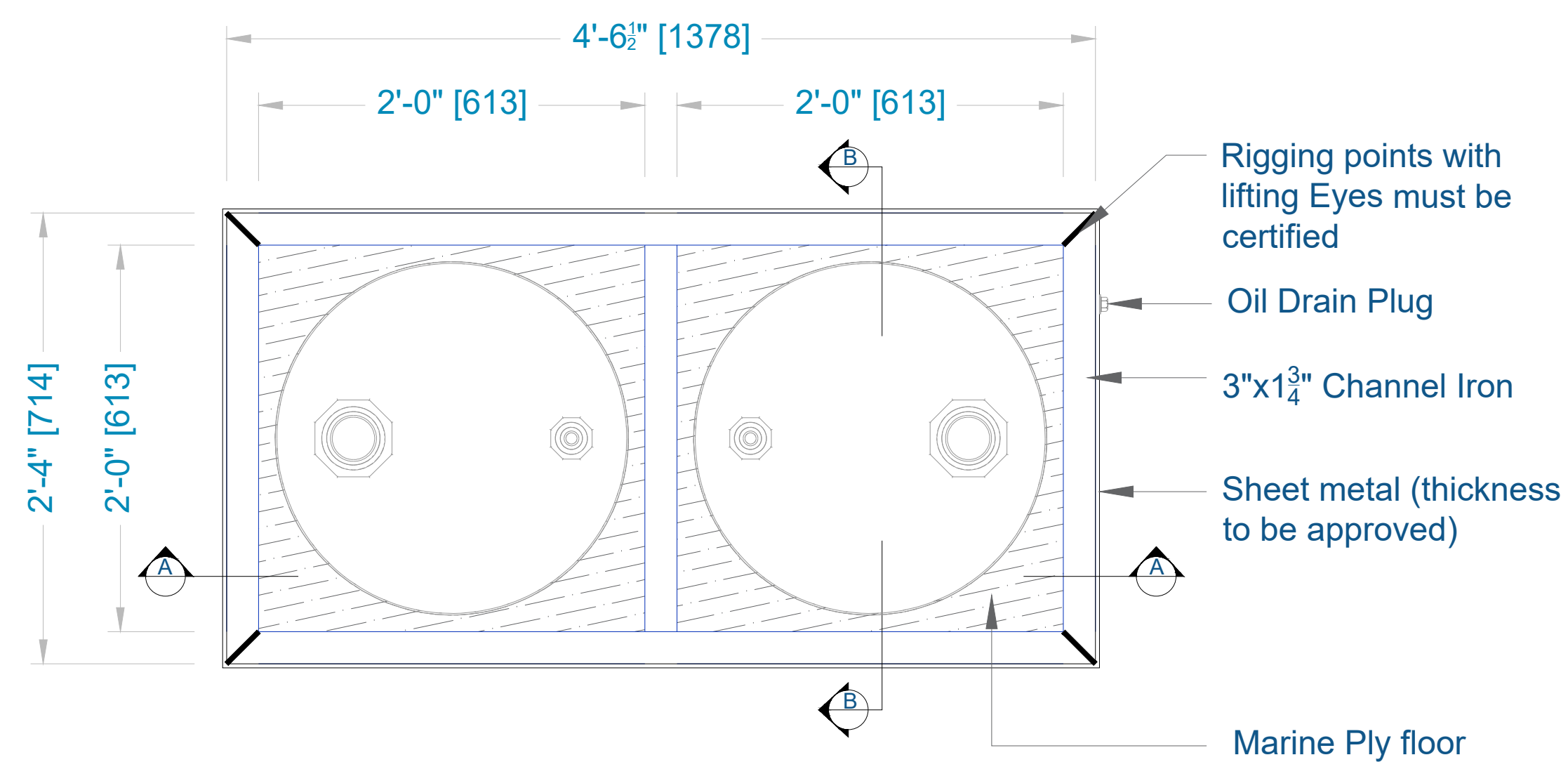


SECTIONAL ELEVATION A-A
SCALE: NTS



SECTIONAL ELEVATION B-B
SCALE: NTS



PLAN
SCALE: NTS

NB: 45 gal. Metal Drum
Height = 2'-8 1/2"
Width = 1'-10"

NOTES:



NO.	REVISION	DATE	CLIENT

Project Title:	GAS TO SHORE	Scale:	NTS	Date:	20.02.2023
Project Location:	WEST BANK DEMERARA	Surveyed by:			*****
Drawing Title:	DRUM CARRIER UNIT	Drawing by:	S. Joseph	Drawing #:	DCU-A-101
		Checked by:	T. Toth		
		Approved by:	A. Stimpson	Appr. Date:	